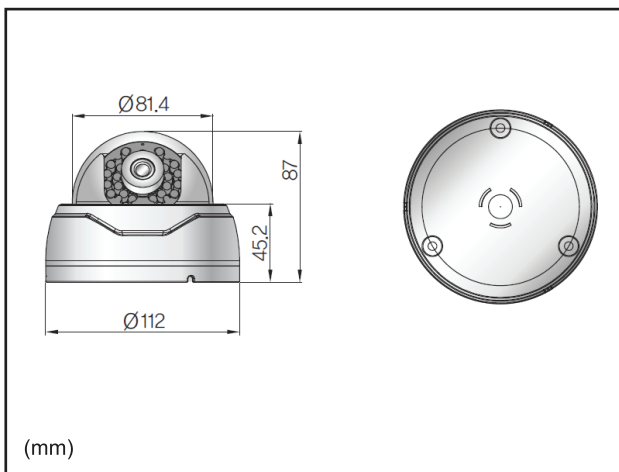




## UK-DS36D18ES

- Supreme Resolution(600 TV-Line).
- This camera is incredibly flexible to install with its 3-axis camera construction, which makes the camera ceiling, wall or slope mountable.
- 25M range visible in total darkness with 25pcs of IR LEDs.(Indoor)

### DIMENSIONS



### SPECIFICATIONS

Image Sensor	1/3" COLOR HIGH SENSITIVITY CCD
Effective Pixel	768(H) x 494(V) Pixel(NTSC), 752(H) x 582(V) Pixel(PAL)
Scanning System	2:1 Interlace
Sync. Type	Internal
Resolution	600 TV-Line
S/N	48dB or More(AGC OFF)
Video Output	1.0 Vp-p(Sync. Negative) Termination 75Ω
Min. Illumination	LED OFF : 0.1Lux(F/1.2) LED ON : 0Lux(25M Range) - Indoor
Gamma	γ= 0.45 typ.
White Balance	AUTO
Shutter Speed	1/60(1/50) ~ 1/100,000sec.
AGC	AUTO
Day & Night	Electronic(Auto)
LED Brightness	25pcs, Dynamic IR
Lens	Fixed focal lens
Power Supply	Regulated 12V DC ±10%
Current Consumption	Max. 250mA(at 12V DC)
Operation Temp.	-10℃ ~ 50℃
Preservation Temp.	-20℃ ~ 60℃
Dimension	Ø111.9(W) x 87(H)mm
Weight	Approx. 185g