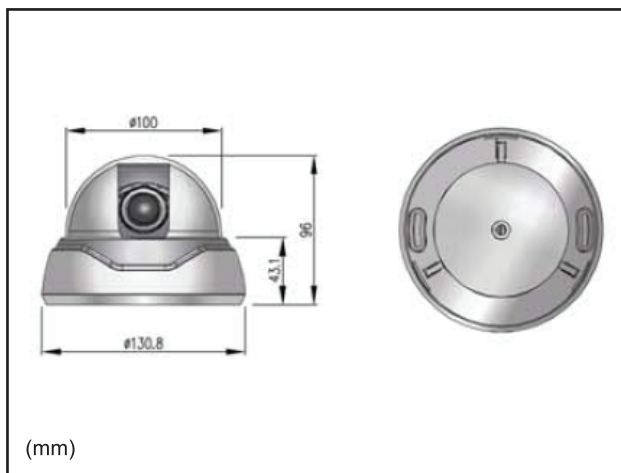




UK-DC28V58TD

- 25M range visible in total darkness with 24pcs of IR LEDs
- Supreme Resolution(650 TV-Line : Color, 720 TV-Line : B/W)
- 1/3" COLOR SONY SUPER HAD CCD II
- Day&Night function(ICR), Smart IR
- DWDR, SmartDNR, Sense up(1024X), Smart MD
- IR LED output level controllable via RS-485
- 3-AXIS Bracket for 3D(Pan/Tilt/Roll) rotation
- Option : 12V DC or 24V AC Dual voltage

DIMENSIONS



SPECIFICATIONS

Image Sensor	1/3" SONY SUPER HAD CCD II
Effective Pixel	768(H) x 494(V) Pixel(NTSC), 752(H) x 582(V) Pixel(PAL)
Scanning System	2:1 Interlace
Sync. Type	Internal/ Line-Lock(option)
Resolution	650 TV-Line(Color), 720 TV-Line(B/W)
S/N	52dB or More(AGC OFF)
Video Output	1.0 Vp-p(Sync. Negative) Termination 75Ω
Min. Illumination	0.01Lux - LED OFF 0Lux(25M Range) - LED ON
Gamma Characteristic	$\gamma = 0.45$ typ.(0.2~1.0)
OSD	Yes(Multi-language)
White Balace	ATW(2,500°K~9,500°K) / MANUAL / PUSH
Shutter Speed	1/60(1/50) ~ 1/100,000sec
Sense up	AUTO / FIXED(Selectable limit 2X~1024X) / OFF
Backlight	WDR / HLC / BLC / OFF
AGC	LOW / MIDDLE / HIGH / OFF
DNR(3D)	LOW / MIDDLE / HIGH / OFF
Motion Detection	ON / OFF(4 Zone)
Privacy Zone	ON / OFF(8 Zone)
Mirror	ON / OFF
Day & Night	ICR(AUTO, COLOR, B/W)
LED Brightness	24pcs(LOW, MIDDLE, HIGH, OFF), Dynamic IR
LSC	ON/OFF
Blemish Compensation	AUTO/OFF
Communication(option)	RS-485(Protocol : Pelco D)
Lens	Day & Night Vari-focal auto iris lens
Power Supply	12V DC $\pm 10\%$ (24V AC : option)
Current Consumption	Max. 800mA(at 12V DC, 24V AC) - LED ON
Operation Temp.	-10°C ~ 50°C
Preservation Temp.	-20°C ~ 60°C
Dimension	Ø85 X 90(H) mm