



## FEATURES

- Supreme Resolution(700 TV-Line)
- Adopted Smart DNR technology, It reduces noise efficiently in low light condition
- This camera is incredibly flexible to install with its 3-axis camera construction, which makes the camera ceiling, wall or slope mountable
- Day & Night function
- Support 8 different privacy zone
- DWDR(Digital Wide Dynamic Range)
- Multi function : High Light Mask, Lens Shading Compensation, Smart Motion Detection
- Multi-language full OSD support

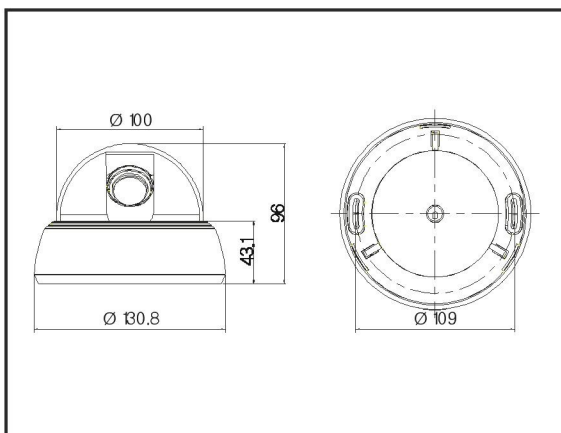


## UK-D28V70ES

### SUPREME RESOLUTION 3-AXIS D&N DOME CAMERA



## DIMENSIONS



## SPECIFICATIONS

Image Sensor	1/3" SONY SUPER HAD CCD II
Effective Pixel	768(H) x 494(V) Pixel(NTSC), 752(H) x 582(V) Pixel(PAL)
Cell Size	6.35 (H) x 7.4 (V)(NTSC), 6.5 (H) x 6.25 (V)(PAL)
Scanning System	2:1 Interlace
Sync. Type	Internal
Resolution	Color : 700 TV-Line
S/N	52dB or More(AGC OFF)
Video Output	1.0 Vp-p(Sync. Negative) Termination 75Ω
Min. Illumination	0.01Lux(F/1.2), 0.0001Lux(Sense up)
Gamma	γ= 0.45 typ.(0.2 ~ 1.0)
OSD	Yes(Multi Language)
White Balance	ATW(2,500°K ~ 9,500°K)/MANUAL/AWC
Shutter Speed	1/60(1/50) ~ 1/100,000sec
Sense up	Auto(Selectable limit 2X~1024X)/FIXED/OFF
Backlight	OFF/BLC/HLC/DWDR
AGC	LOW/MIDDLE/HIGH/OFF
DNR(3D)	AUTO/LOW/MIDDLE/HIGH/OFF
Motion Detection	ON/OFF(4 Zone)
Privacy Zone	ON/OFF(8 Zone)
Mirror	ON/OFF
Day & Night	AUTO, COLOR, B/W
Blemish Compensation	AUTO/OFF
Lens	Vari-focal auto iris lens 2.8 ~ 12mm
Power Supply	12V DC/24V AC Dual voltage
Current Consumption	Max. 240mA(at 12V DC, 24V AC)
Operation Temp.	-10℃ ~ 50℃
Preservation Temp.	-20℃ ~ 60℃
Dimension	Ø130.8 x 96(H) mm
Weight	Approx. 400g