

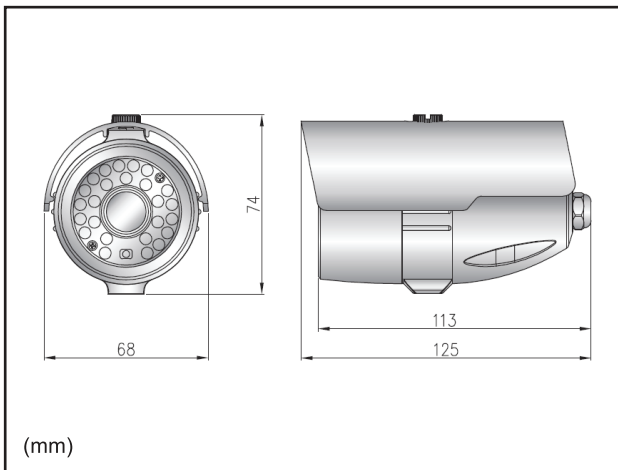


## UK-B4F19ES

ULTRA HIGH RES WEATHERPROOF IR BULLET

- This product can match for any circumstances very well.
- This product is suitable for 24 hours surveillance with optical multi-coating filter according to IR LED and CCD.
- The light of IR LED can reach about 30m away. (Indoor)
- LED can be ON/OFF automatically by CDS cell to perceive the light condition in the circumstance. Under 5 lux do LEDs turn on.
- This product is waterproof to resist rain, snow and other weather factors.(IP67)
- This product is made of aluminum material with corrosion-free surface to resist rust and corrosion for a long time.
- Sunvisor of this product can help the camera get the picture clearly.

### DIMENSIONS



### SPECIFICATIONS

Image Sensor	1/3" COLOR SONY SUPER HAD II CCD
Effective Pixel	768(H) X 494(V) PIXEL(NTSC), 752(H) X 582(V) PIXEL(PAL)
Cell Size	9.6 μm(H) X 7.5 μm(V) (NTSC), 9.8 μm(H) X 6.3 μm(V) (PAL)
TV Type	NTSC, PAL
Sync. Type	Internal
Scanning System	2:1 Interlace
Video Output	1Vp-p(Sync,Negative) Termination 75Ω
Gamma Characteristic	γ= 0.45 Typ.
Min. Illumination	0 Lux(LED ON) - 30M Range
S/N Ratio	48dB or More(AGC OFF)
Gain Control	Automatic gain control
Day&Night	Electronic
Shutter Speed	1/60 ~ 1/100,000 sec.(NTSC), 1/50 ~ 1/100,000 sec.(PAL)
Test Illuminance Area	Average test illumination by front view
Power Supply	Regulated 12V DC ±10%
Current Consumption	Max. 350mA(LED ON)
Operation Temp	-10℃ ~ 50℃
Preservation Temp	-20℃ ~ 60℃
LED	IR LED 25EA
LENS	Fixed focal board lens
Dimension	68(W) X 74(H) X 125(D)mm
Weight	Approx. 350g