



HD-SDI 1080P

UH-DV8TSH



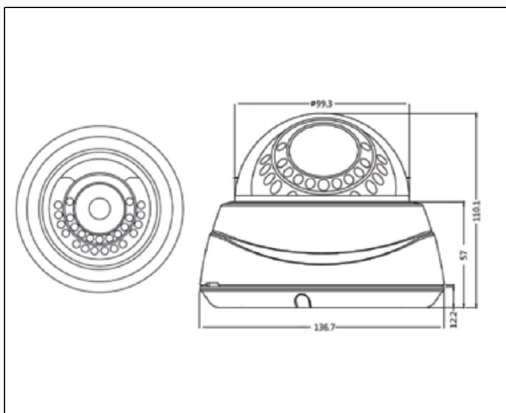
Full HD
1920x1080

FEATURES

- 1/2.9" SONY CMOS (2.1 Mega Pixel)
- HD-SDI (1080p@30fps) video output
- Verifocal Lens 2.8~12mm
- 3D-DNR, 3-Axis
- True Day&Night function (ICR)
- OSD, Sense-Up
- RS-485 Interface
- LED 30pcs(0Lux 30M Range, Indoor)
- 12V DC Only
- Wall & ceiling mountable

SPECIFICATIONS

DIMENSIONS



UH-DV8TSH

VIDEO	Image Sensor	1/3" 2.1MEGA PANASONICS CMOS
	Effective Pixel	1944(H)x1092(V)
	Scanning System	Progressive Scan
	Resolution	Digital: 1080p (1920x1080)
	Video Output	HD-SDI (1080p@30fps)
	Min. Illumination	Color: 0.5Lux, BW: 0.1Lux
	LED	30pcs IR (30M Range)
	Focal Length	f = 2.8(W) ~ 12.0(T)mm
OPERATION	Day & Night	ICR (Auto, Color, B/W)
	Backlight Compensation	BLC / HLC / WDR / OFF
	Digital Noise Reduction (3D)	High / Middle / Low / Off
	Digital Zoom	ON/OFF (x1 ~ x8)
	Defog, DWDR	OFF / LOW/ MIDDLE / HIGH
	Motion Detection	ON/OFF
	Privacy Masking	ON/OFF (16 Zone Selectable)
	Sense-up	Auto (Selectable limit 2x ~ 8x)/OFF
ENVIRONMENT	White Balance	Auto / Autoext / Manual
	Ingress Protection	Indoor Plastic
	Operating Temp.	-10C ~ 50C
FUNCTION	Humidity	0% to 90%
	Protocol	PELCO D
ELECTRICAL (Power Supply)	Communication	RS-485
	Supplied Voltage	Max 1A(at 12v DC, 24V AC) : LED ON
	Power Consumption	Max 500mA(at 12v DC) : LED ON
MECHANICAL	Heater	Yes
	Dimension	Ø136.7 ×110.1(H)mm
	Weight	Approx. 350g
	CE, FCC, ROHS	Yes