



HD-SDI 1080P

UH-DFHD8ES

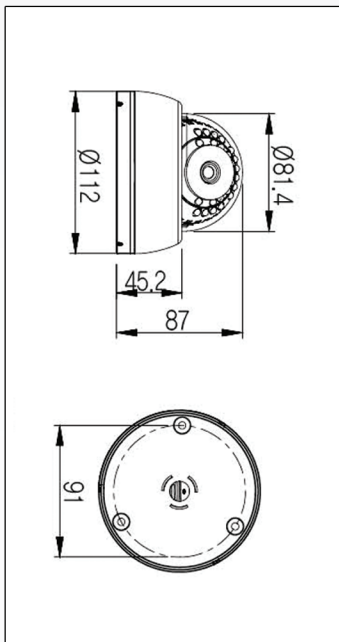


Full HD
1920x1080

FEATURES

- 1/2.9" SONY CMOS (2.1 Mega Pixel)
- HD-SDI (1080p@25/30fps) video output
- Board Lens 3.6mm
- D.WDR, 3D-DNR, HLC, Sense up
- Day&Night function (ICR)
- OSD
- Indoor Dome (Plastic)
- 24pcs, 24M of IR LEDs (Indoor)
- 24V DC

DIMENSIONS



UH-DFHD8ES

VIDEO	Image Sensor	1/2.9" SONY CMOS
	Effective Pixel	1984(H)x1105(V)
	Scanning System	Progressive Scan
	Resolution	Digital: 1080p (1920x1080)
	Video Output	HD-SDI (1080p@25/30fps)
	Min. Illumination	Color: 1.0Lux, BW: 0.5Lux
	LED	24pcs. Smart IR (24M Range)
	Board Lens	f =3.6mm
OPERATION	Day & Night	ICR (Auto, Color, B/W)
	Backlight Compensation	BLC / HLC / WDR / OFF
	Digital Noise Reduction (3D)	High / Middle / Low / Off
	Digital Zoom	ON/OFF (x1 ~ x8)
	Defog, DWDR	OFF / LOW/ MIDDLE / HIGH
	Motion Detection	ON/OFF
	Privacy Masking	ON/OFF (16 Zone Selectable)
	Sense-up	Auto (Selectable limit 2x ~ 32x)/OFF
ENVIRONMENT	White Balance	Auto / Autoext / Manual
	Ingress Protection	Indoor
	Operating Temp.	-45C ~ 50C
ELECTRICAL (Power Supply)	Humidity	0% to 90%
	Supplied Voltage	DC12V +/- 10%
	Power Consumption	Max 350mA(at 12v DC) : LED ON
MECHANICAL	Heater	N/A
	Dimension	Ø112 x87(H)mm
	Weight	Approx. 185g
	CE, FCC, ROHS	Yes

SPECIFICATIONS