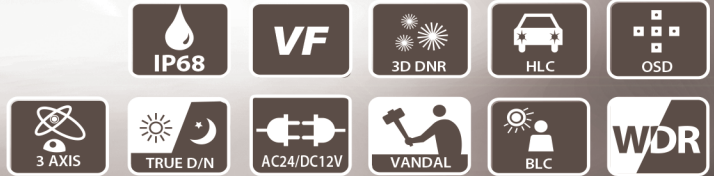




HD-SDI 1080P

# UH-BVHD14TD



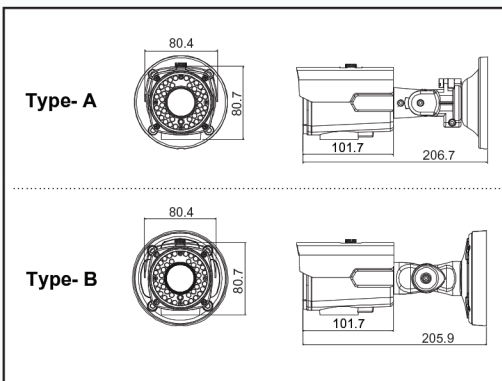
**FullHD**  
1920x1080

## FEATURES

- 1/2.9" SONY CMOS (2.1 Mega Pixel)
- HD-SDI (1080p@25/30fps) video output
- Verifocal Lens 2.8~12mm
- D.WDR, 3D-DNR
- Day&Night function (ICR)
- OSD, Sens-Up
- RS-485 Interface
- Vandal-proof & Waterproof(IP68)
- LED 74pcs(0Lux 140FT Range, Indoor)
- Dual Voltage(12V DC, 24V AC)

## SPECIFICATIONS

## DIMENSIONS



UH-BVHD14TD		
VIDEO	Image Sensor	1/2.9" SONY CMOS
	Effective Pixel	1984(H)x1105(V)
	Scanning System	Progressive Scan
	Resolution	Digital: 1080p (1920x1080)
	Video Output	HD-SDI (1080p@25/30fps)
	Min. Illumination	Color: 1.0Lux, BW: 0.5Lux
LENS	LED	Color: 1.0Lux, BW: 0.5Lux
	Focal Length	70pcs. Smart IR (150FT Range)
OPERATION	Day & Night	ICR (Auto, Color, B/W)
	Backlight Compensation	BLC / HLC / WDR / OFF
	Digital Noise Reduction (3D)	High / Middle / Low / Off
	Digital Zoom	ON/OFF (x1 ~ x8)
	Defog, DWDR	OFF / LOW/ MIDDLE / HIGH
	Motion Detection	ON/OFF
	Privacy Masking	ON/OFF (16 Zone Selectable)
	Sense-up (Frame Integration)	Auto (Selectable limit 2x ~ 32x)/OFF
	White Balance	Auto / Autoext / Manual
	Electric Shutter Speed	Auto/ Manual (1/30(1/25) ~1/60000)
ENVIRONMENT	Ingress Protection	IP 68
	Operating Temp.	-45C ~ 50C
	Humidity	0% to 90%
FUNCTION	Protocol	PELCO D
	Communication	RS-485
ELECTRICAL (Power Supply)	Supplied Voltage	DC12V +/- 10% or AC24V +/- 10% Dual voltage
	Power Consumption	Max 1A(at 12v DC, 24V AC) : LED ON
	Heater	Yes
MECHANICAL	Dimension	96.5(W)x94.6(H)x241.1(D) mm
	Weight	Approx. 1kg
	CE, FCC, ROHS	Yes