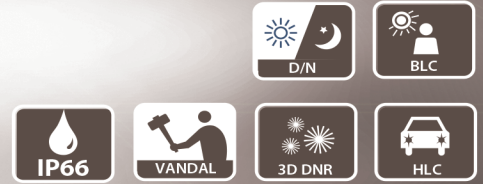




HD-SDI 1080P UH-BFHD9ES

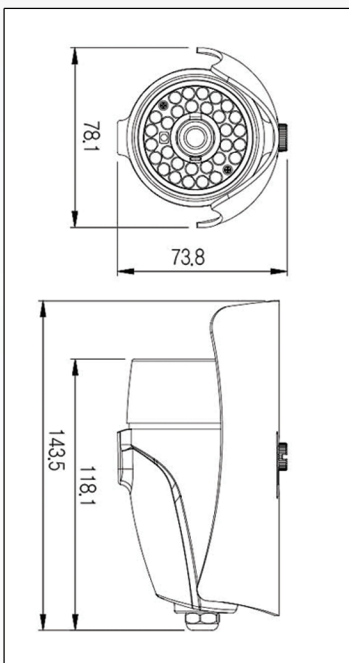


Full HD
1920x1080

FEATURES

- 1/2.9" SONY CMOS (2.1 Mega Pixel)
- HD-SDI (1080p@25/30fps) video output
- Board Lens 3.6mm
- D.WDR, 3D-DNR, HLC, Sense up
- Day&Night function (ICR)
- OSD
- Vandal-proof & Waterproof(IP66)
- LED 30pcs(0Lux 25M Range)
- IP66
- 24V DC

DIMENSIONS



SPECIFICATIONS

UH-BFHD9ES

VIDEO	Image Sensor	1/2.9" SONY CMOS
	Effective Pixel	1984(H)x1105(V)
	Scanning System	Progressive Scan
	Resolution	Digital: 1080p (1920x1080)
	Video Output	HD-SDI (1080p@25/30fps)
	Min. Illumination	Color: 1.0Lux, BW: 0.5Lux
	LED	30pcs. Smart IR (25M Range)
	Board Lens	f =3.6mm
	OPERATION	Day & Night
Backlight Compensation		BLC / HLC / WDR / OFF
Digital Noise Reduction (3D)		High / Middle / Low / Off
Digital Zoom		ON/OFF (x1 ~ x8)
Defog, DWDR		OFF / LOW/ MIDDLE / HIGH
Motion Detection		ON/OFF
Privacy Masking		ON/OFF (16 Zone Selectable)
Sense-up		Auto (Selectable limit 2x ~ 32x)/OFF
White Balance		Auto / Autoext / Manual
ENVIRONMENT	Ingress Protection	IP66
	Operating Temp.	-45C ~ 50C
	Humidity	0% to 90%
ELECTRICAL (Power Supply)	Supplied Voltage	DC12V +/- 10%
	Power Consumption	Max 400mA(at 12v DC) : LED ON
	Heater	N/A
MECHANICAL	Dimension	68(W) x 74(H) x 125(D)mm
	Weight	Approx. 350g
	CE, FCC, ROHS	Yes